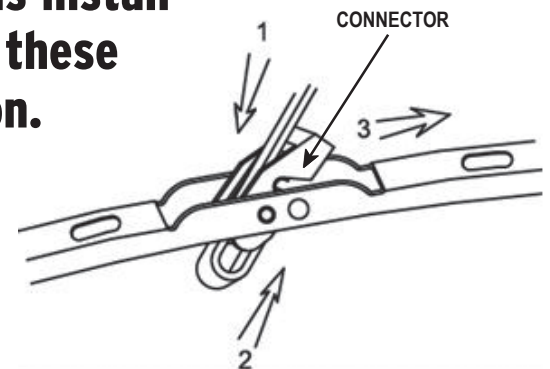


PIVOT LOCK INSTALLATION FOR HOOK TYPE ARMS



PrimaTech™ Wiper Blades for hook type arms install slightly different than other brands. Follow these simple steps for a secure, locked installation.

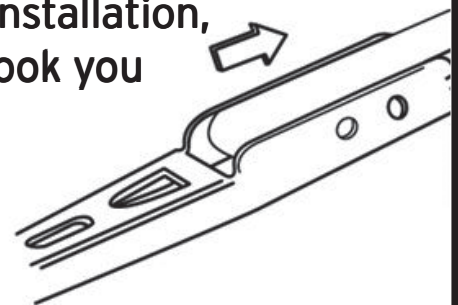
Pivot the connector at the center of the blade assembly to be close to 90° to the blade to start installation.



1. With the hook in the gap above the connector, slide the blade assembly over the hook.

2. Raise the wiper blade to slide the curved end of the connector into the hook and push the connector all the way in. The end tabs of the connector will be visible outside the hook when it is fully locked in place. You will not hear a click as you do with other brands' installation, but if you try to pull the wiper blade back out of the hook you will feel the lock.

3. Pivot the whole wiper blade assembly back down against the windshield to its final position.



Please note these picture instructions are on the back of each PrimaTech™ wiper blade package